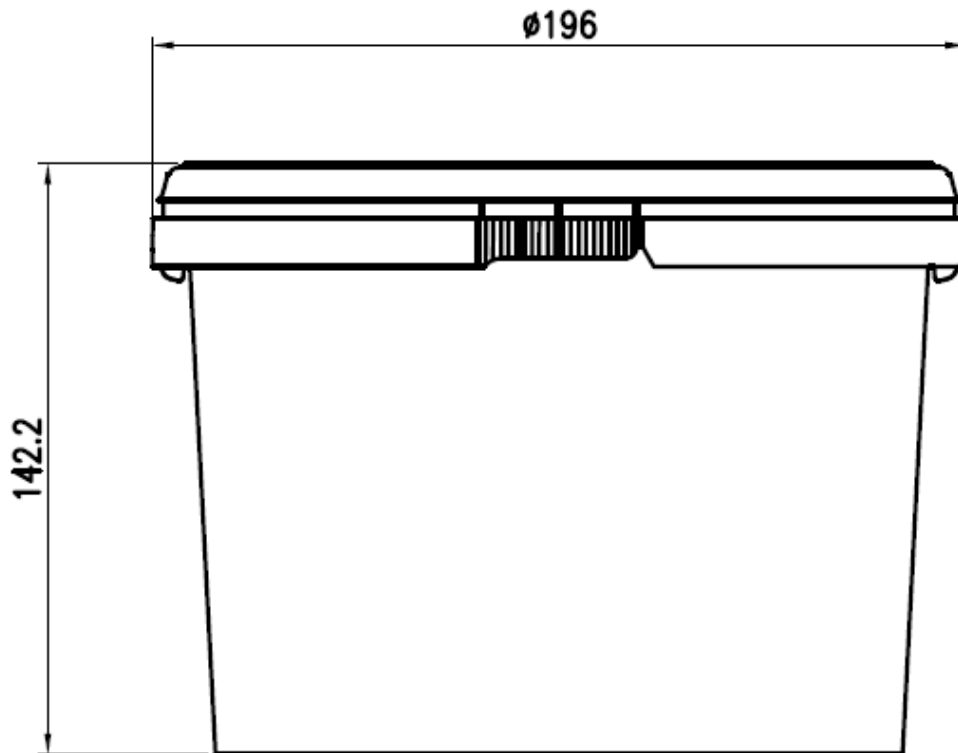




Shalam UK Ltd



2.5ltr BUCKET

ITEM CODE: 1025000002

Lid: 31025000002

MATERIAL

Food Grade Polypropylene Co-Polymer

HANDLE TYPE

Plastic or metal

COLOUR

White – a range of colours are available on request

DECORATION

No decoration available

WEIGHT

Container: 680g (+/- 10g) **Lid:** 125g (+/- 4 g)

QUANTITY (EMPTY)

Container: 1120, per pallet (Plt 1000mm x 1200mm)
Lid: 2700 per pallet

STACKING (EMPTY)

Container: 3 pallets high
Lid: in pallet box 2 high

FILLING (Based on product density 1.4
air temperature 20°C)

60 per pallet (10 per layer x 6 high)

FILL TEMPERATURE

Max 70°C (avoid prolonged exposure over 40°C and below -20°C)

COMPATIBILITY

It is the responsibility of our customers to ensure their product is compatible with the container. Trials can be carried out by Shalam on request.

Notes: all details that are given in this data sheet are correct at the time when printed. Further details can be available from our technical staff if required.