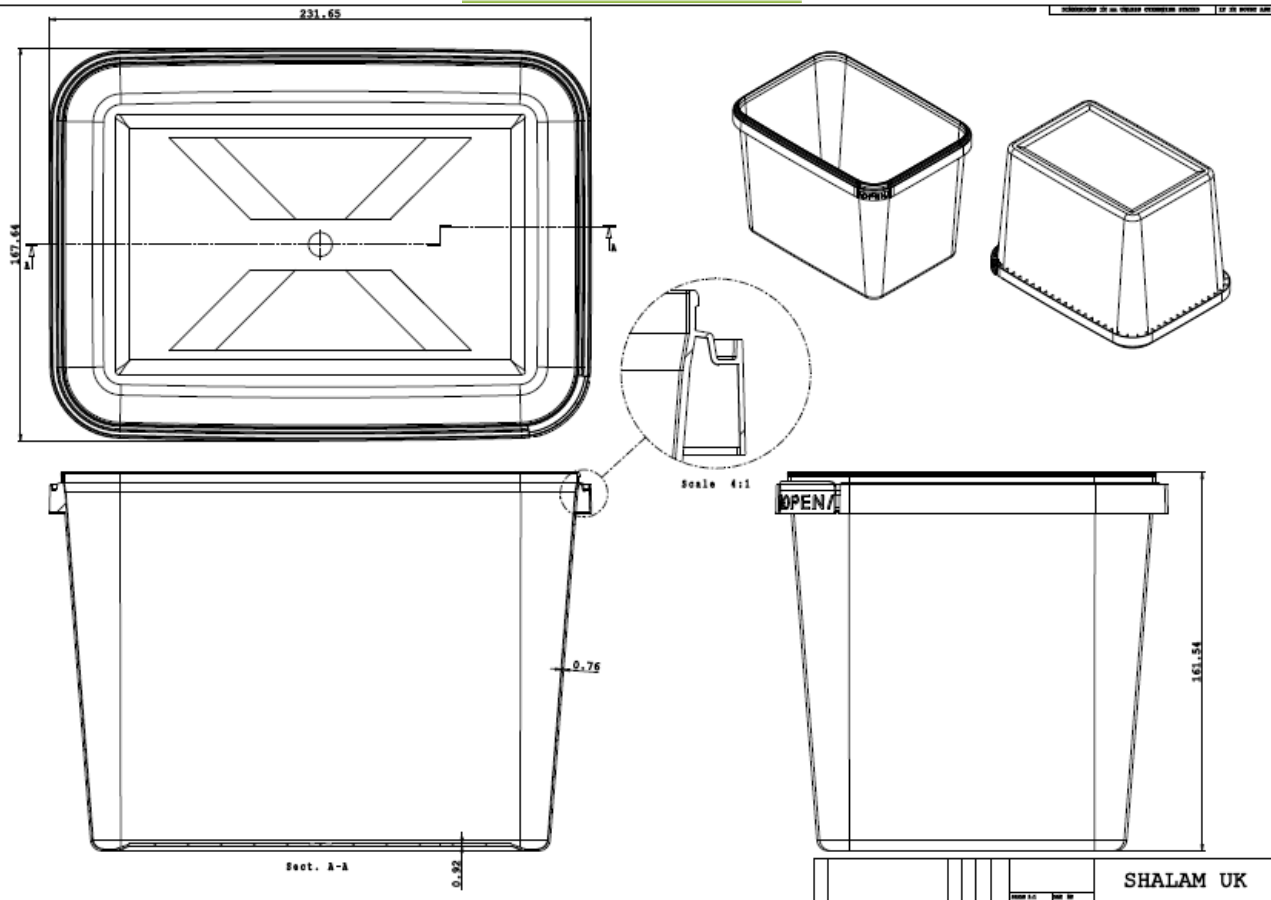




Shalam UK Ltd



4Ltr Ice Cream Tub

ITEM CODE: 2040100001

Lid: 30401140101

MATERIAL	Food Grade Polypropylene Co-Polymer
HANDLE TYPE	Plastic or metal
COLOUR	White – a range of colours are available on request
DECORATION	IML Available on Lid Only
WEIGHT	Container: 100g (+/- 10g) Lid: 30g (+/- 4 g)
QUANTITY (EMPTY)	Container: 38 per stack (1140, per pallet) (Plt 1000mm x 1200mm) Lid: 200 per stack (5600 per pallet)
STACKING (EMPTY)	Container: 3 pallets high Lid: in pallet box 2 high
FILLING (Based on product density 1.4 air temperature 20°C)	60 per pallet (10 per layer x 6 high) 2010 mm maximum pallet height
FILL TEMPERATURE	Max 70°C (avoid prolonged exposure over 40°C and below -20°C)
COMPATIBILITY	It is the responsibility of our customers to ensure their product is compatible with the container. Trials can be carried out by Shalam on request.

Notes: all details that are given in this date sheet are correct at the time when printed. Further details can be available from our technical staff if required.