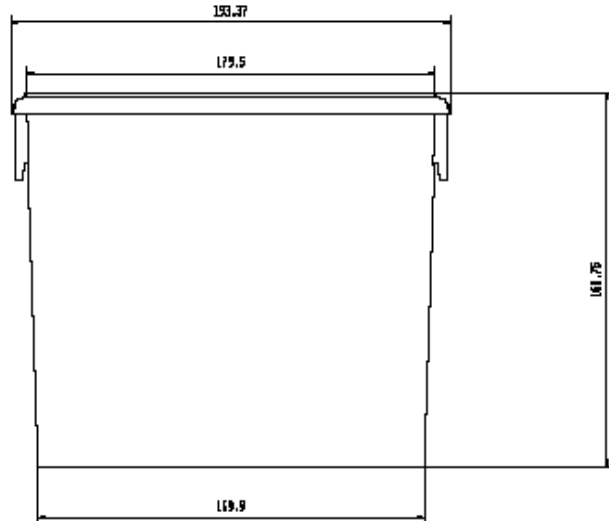
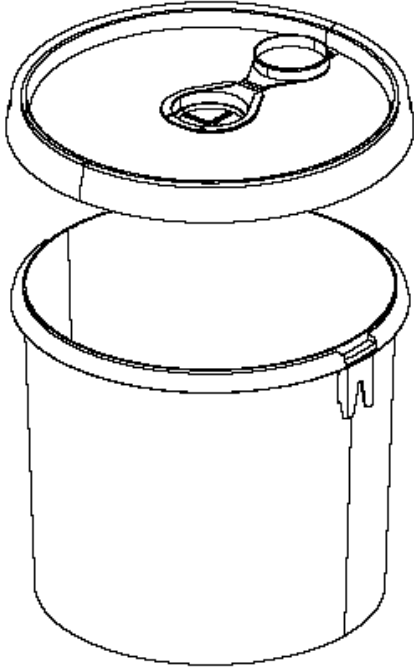




Shalam UK Ltd



## 3ltr / B / Snap Range

Lid: 3ltr / L / snap range

<b>MATERIAL</b>	Food Grade Polypropylene Co-Polymer
<b>HANDLE TYPE</b>	Plastic
<b>COLOUR</b>	White – a range of colours are available on request
<b>DECORATION</b>	IML available on request
<b>WEIGHT</b>	Container: 110g (+/- 8g) Lid: 40g (+/- 4 g)
<b>QUANTITY (empty)</b>	Containers: 1,110 per pallet (Plt 1000mm x 1200mm) Lids: 70 per sleeve (2,100 per pallet)
<b>STACKING (empty)</b>	Containers: 3 pallets high Lids: in pallet box 2 high
<b>FILLING (Based on product density 1.4 air temperature 20°C)</b>	150 per pallet (30 per layer x 5 high) 1190mm maximum pallet height
<b>FILL TEMPERATURE</b>	Max 70°C (avoid prolonged exposure over 40°C and below 0°C)
<b>COMPATIBILITY</b>	It is the responsibility of our customers to ensure their product is compatible with the container. Trials can be carried out by Shalam on request.

Notes: all details that are given in this data sheet are correct at the time when printed. Further details are available from our technical staff if required.