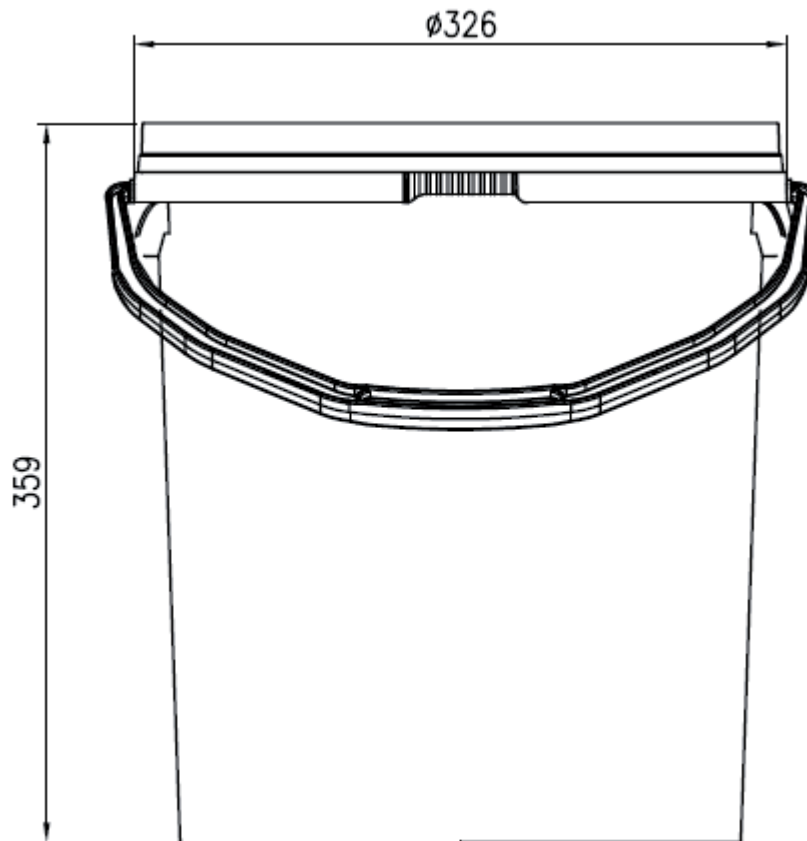




Shalam UK Ltd



## 20ltr BUCKET

ITEM CODE: 120000002

Lid: 320000002

<b>MATERIAL</b>	Food Grade Polypropylene Co-Polymer
<b>HANDLE TYPE</b>	Plastic or metal
<b>COLOUR</b>	White – a range of colours are available on request
<b>DECORATION</b>	No decoration available
<b>WEIGHT</b>	<b>Container: 680g (+/- 10g) Lid: 125g (+/- 4 g)</b>
<b>QUANTITY (EMPTY)</b>	<b>Container: 170 per pallet (Plt 1000mm x 1200mm)</b> <b>Lid: 55 per stack (550 per pallet)</b>
<b>STACKING (EMPTY)</b>	<b>Container: 2 pallets high</b> <b>Lid: in pallet box 2 high</b>
<b>FILLING</b> (Based on product density 1.4 air temperature 20°C)	60 per pallet (10 per layer x 6 high) 2010 mm maximum pallet height
<b>FILL TEMPERATURE</b>	Max 70°C (avoid prolonged exposure over 40°C and below -20°C)
<b>COMPATIBILITY</b>	It is the responsibility of our customers to ensure their product is compatible with the container. Trials can be carried out by Shalam on request.

**Notes:** all details that are given in this data sheet are correct at the time when printed. Further details can be available from our technical staff if required.