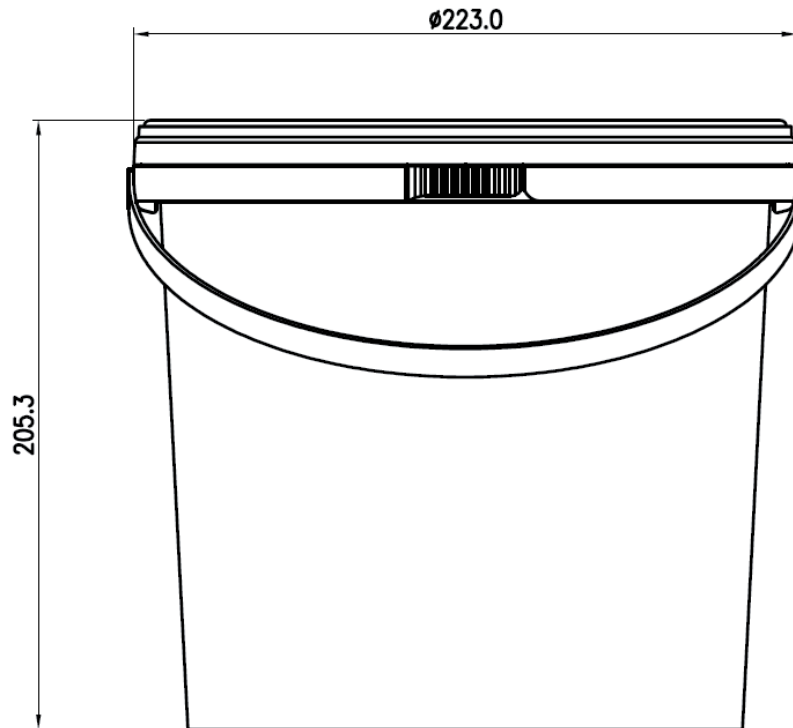




Shalam UK Ltd



5ltr BUCKET

ITEM CODE: 105000002

Lid: 305000002

MATERIAL	Food Grade Polypropylene Co-Polymer
HANDLE TYPE	Plastic
COLOUR	White – a range of colours are available on request
DECORATION	IML available on request
WEIGHT	Container: 170g (+/- 8g) Lid: 35g (+/- 4 g)
QUANTITY (empty)	Containers: 1,000 per pallet (Pit 1000mm x 1200mm) Lids: 80 per sleeve (1,760 per pallet)
STACKING (empty)	Containers: 3 pallets high Lids: in pallet box 3 high
FILLING (Based on product density 1.4 air temperature 20°C)	125 per pallet (25 per layer x 5 high) 1190mm maximum pallet height
FILL TEMPERATURE	Max 70°C (avoid prolonged exposure over 40°C and below 0°C)
COMPATIBILITY	It is the responsibility of our customers to ensure their product is compatible with the container. Trials can be carried out by Shalam on request.

Notes: all details that are given in this data sheet are correct at the time when printed. Further details are available from our technical staff if required.