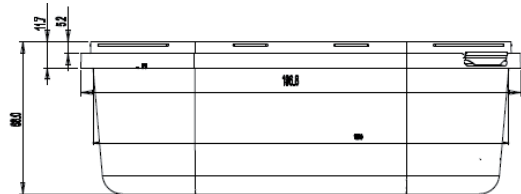
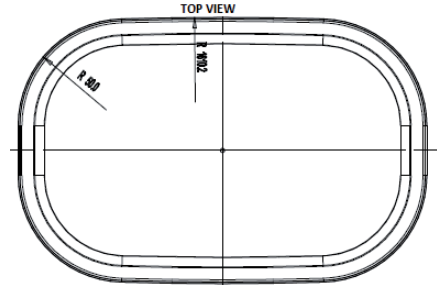
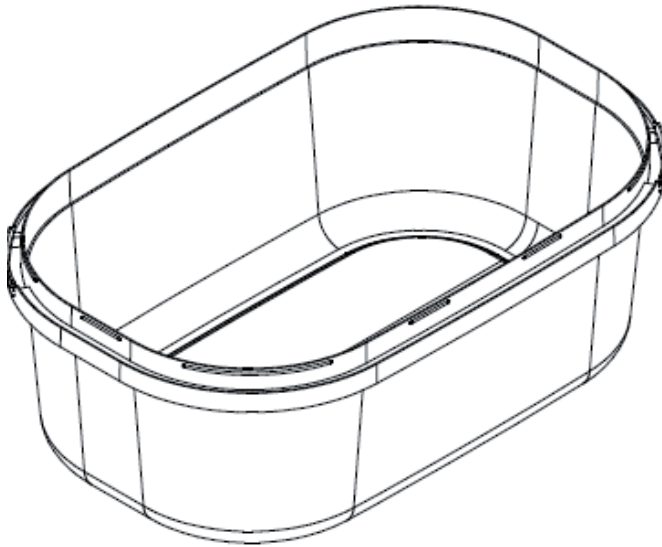




Shalam UK Ltd



# 1ltr SQUARE OVAL TUB

ITEM CODE: 201000001

Lid: 301000001

## MATERIAL

Food Grade Polypropylene Co-Polymer

## COLOUR

Natural or Clear

## DECORATION

IML available on lid only

Container: 31g (+/- 2g) Lid: 17g (+/- 2 g)

## QUANTITY (empty)

Containers: 2,000 per pallet (Plt 1000mm x 1200mm)

Lids: 696 per box (25 boxes per pallet)

These are only estimates, will confirm when produced

## STACKING (empty)

Containers: 3 pallets high

Lids: 2 pallets high

## FILLING (Based on product density 1.4 air temperature 20°C)

360 per pallet (45 per layer x 8 high)

630 mm maximum pallet height

## FILL TEMPERATURE

Max 70°C (avoid prolonged exposure over 40°C and below -25°C)

## COMPATIBILITY

It is the responsibility of our customers to ensure their product is compatible with the container. Trials can be carried out by Shalam on request.

Notes: all details that are given in this data sheet are correct at the time when printed. Further details are available from our technical staff if required.